



BELLINO TOWER BASIN MIXER STRAIGHT OUTLET

FEATURES:

- Extended body height (260mm) for use with counter top basins
- Vessel style body with pin lever handle and fixed spout
- 35mm ceramic disc cartridge
- Dual installation method enhancing all types of vanity
- Solid brass construction
- PEX core mixer hoses

WARRANTY:

*10 years limited warranty

**Please visit www.acplumbingsupplies.com.au for warranty details*

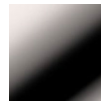
AVAILABLE IN



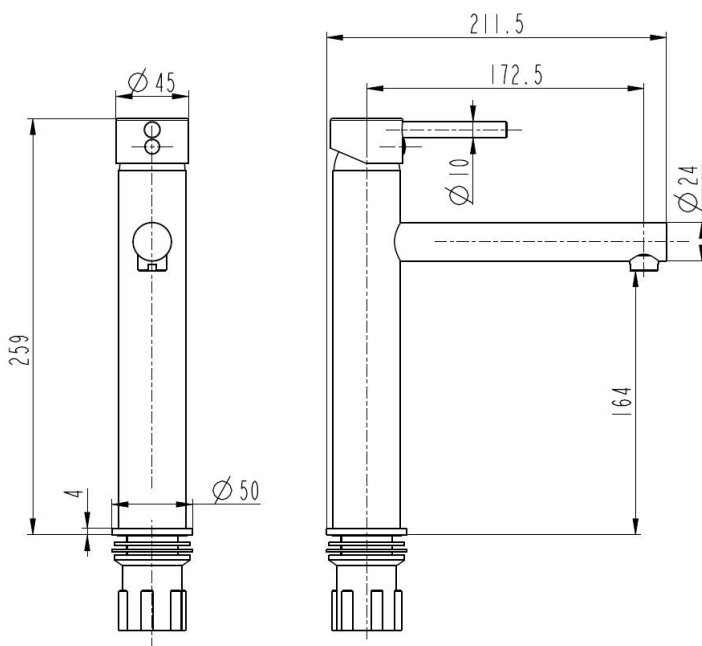
Chrome
190002



Matte Black
190002B



Brushed Nickel
190002N



SPECIFICATIONS

Recommended Operating Pressure:
150 - 650kPa

Maximum Pressure Rating
1000kPa

Maximum Working Temperature
80°C

