



## LAVAR WALL MIXER WITH DIVERTER

**PRODUCT CODE:**

190104

**FEATURES:**

- Brass construction with easy clean chrome plated finish
- 40mm ceramic disc cartridge
- Easy mounting with built-in bracket

**WARRANTY:**

\*10 years limited warranty

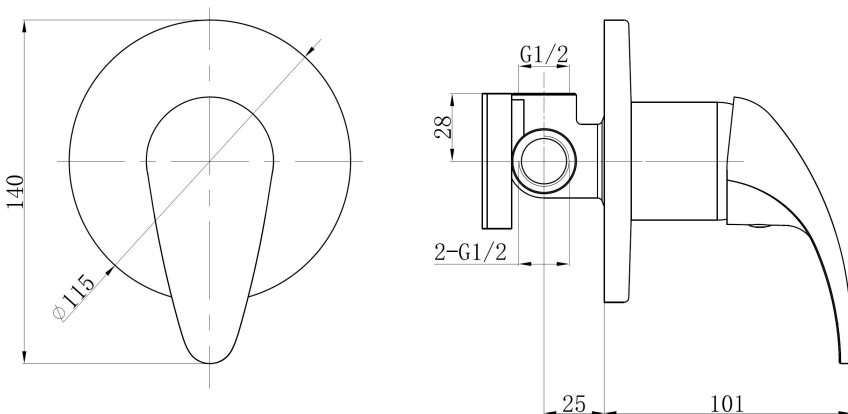
*\*Please visit [www.acplumbingsupplies.com.au](http://www.acplumbingsupplies.com.au) for warranty details*

### Specifications

Recommended operating pressure: 150 - 650kPa

Maximum pressure rating: 1000kPa

Maximum working temperature: 80°C



AUSTRALIAN CONSOLIDATED PLUMBING