



LAVAR WALL MIXER

PRODUCT CODE:

190103

FEATURES:

- Brass construction with easy clean chrome plated finish
- 40mm ceramic disc cartridge
- Easy mounting with built-in bracket

WARRANTY:

*10 years limited warranty

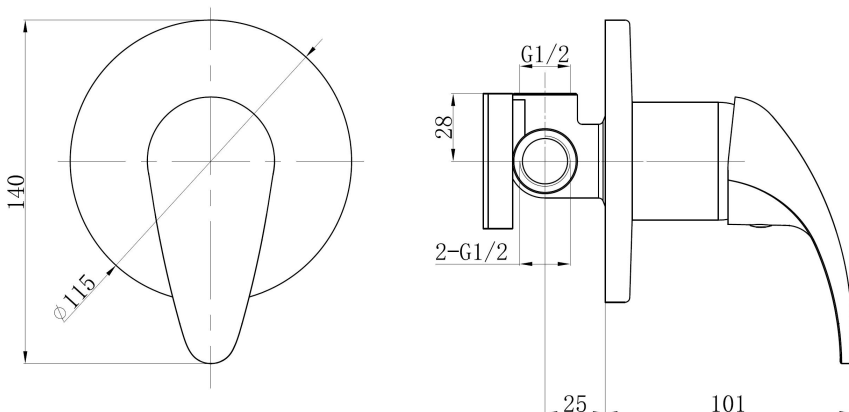
**Please visit www.acplumbingsupplies.com.au for warranty details*

Specifications

Recommended operating pressure: 150 - 650kPa

Maximum pressure rating: 1000kPa

Maximum working temperature: 80°C



WaterMark

AS/NZS 3718



AUSTRALIAN CONSOLIDATED PLUMBING